



TransTechnoMarket

Financial and Industrial Group of Companies

Main Information



- Limited Liability Company " TransTehnoMarket " is a dynamically-developing company which was founded in August 2007.
- The company specializes in complex supplies of equipment, spare parts, electronic components, rolled titanium for mining, machine-building enterprises and other industries
- The staff of company is full of high quality specialists and engineers.
- Over the years our company has earned a reputation as a reliable and trusted supplier in the Russian and global markets.
- We have offices in many countries including Estonia, Mongolia, Kyrgyzstan.
- Annual turnover (2018) – 20 million USD

Who we are?

- - New and second-hand equipment for open pit mines (i.e. excavators, haul trucks, crushers KMD, SMD, blasthole drills SBSH, grinding mills);
- - Machine-building products tailored according to customer drawings;
- - Electronic components;
- - AC and DC Electric motors, generators;
- Mining buckets for excavating equipment;
- Spare parts for different mining equipment;
- Drilling bits.

What we do? Our main products

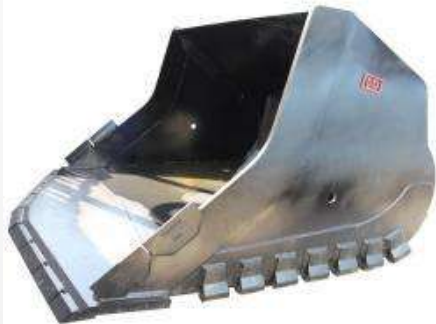
Mining Buckets for Excavating Equipment



“Back Hoe” Bucket
(Bucket Capacity from 4 m³ up to 34 m³)



“Face Shovel” Bucket
(Bucket Capacity from 4 m³ up to 30 m³)



Load and Haul Buckets
(Bucket Capacity from 3 m³ up to 9,5 m³)

-



Buckets for Front Loaders
(Bucket Capacity from 4,3 m³ up to 17 m³)

-



Technical Characteristics	СБШ-250 МНА-32 КП	СБШ-250 МНА-32	СБШ-160/230Д	СБШ-250/270- 60КП	СБШ- 160/200-40
Diameter of Borehole, mm	250; 270; 300; 311	250; 190	160; 171; 215; 230	250; 270	160; 171; 215
Rod length, m	8,2; 10; 18	8,2; 11,4	9,85	12	8,5; 9.2
Number of rods	4; 3; 2	4; 5	4 (3 in Separator)	5	5
Depth of drilling, m	32; 28; 34	32; 55	45	58-60	43
Dust suppression	Wet	Wet	Wet or Dry	Dry	Wet
Power voltage, V	380; 6000	380; 6000	24	380; 6000	380
Total Power, kWt	650	460; 500	Diesel-Engine Drive 75 kWt	650	320
Speed of drill rod delivery to the face, m/min.	120	90; 120		120	52
Compressor capacity, m ³ /min	50	32	28 or 40	50	25
Drill rod rotation frequency, rpm.	0...120	0...120	0...150	0...120	0...120
Crawler drive power, kWt	2x50	2x35; 2x50	hydro: 2x160 l/min	2x50 DC	52
Moving speed, km/h	0-1,8	0-1,3; 0-18	0...3	0...1,5	0...2.0
Maximal gradeability, angle degree (°)	12	12	14	12	12
Mass, kg	110000	80000; 90000	55000	110000	50000

Second – hand equipment

Our company can supply the following types of equipment

- Electric shovels with bucket size 5-15 m³;
- Haul trucks with payload capacity from 30 tn up to 130 tn;
- Drilling rigs with the depth of drilling up to 32m and D up to 311 mm.
- Construction machinery;



Drilling Bits (diameter of drilling 120-311mm)

BITS WITH PURGING THE BOTTOM HOLE WITH AIR



BITS WITH FLUSHING THE BOTTOM HOLE WITH A SOLUTION



Heavy-Duty Trailers



Модель
Model

Г/П, тонн
Payload, t

Габариты, м
Dimensions, m

Оси
Axles

Кол-во колёс
Wheels

ПРИЦЕПЫ-МОДУЛИ • MODULE TRAILERS

ЧМЗАП-702000 (702010)

57,6 (58)

3,53x3,15

2

16+1

ЧМЗАП-703000 (703010)

87,55 (88)

5,28x3,15

3

24+1

ЧМЗАП-704000 (704010)

117,4 (118)

7,03x3,15

4

32+1

ЧМЗАП-704000+704000



220

14,07x3,35

8

64+2

ЧМЗАП-706000 (706010)

176 (177)

10,53x3,15

6

48+1

Heavy-Duty Trailers

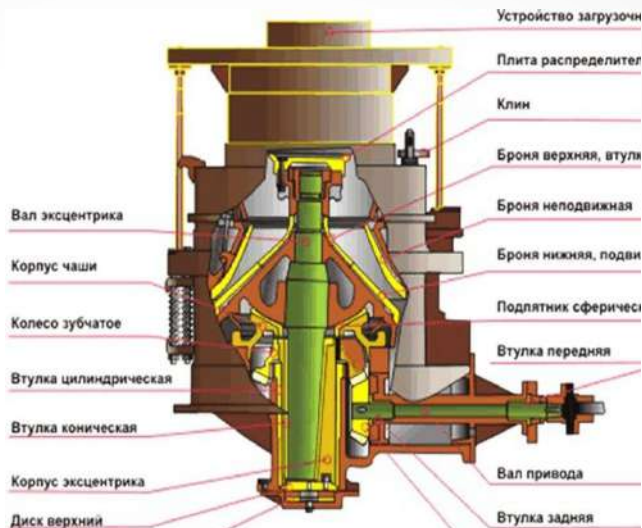
Модель <i>Model</i>	Г/П, тонн <i>Payload, t</i>	Габариты, м <i>Dimensions, m</i>	Нагрузка на ССУ, тонн <i>5th wheel load, t</i>	Оси <i>Axles</i>	Кол-во колёс <i>Wheels</i>	Мех. трапы <i>Mechanical Ramps</i>	Мех. трапы, 2 ступ. <i>Mechanical Ramps (2 st.)</i>	Гидравлические, 2 ступ. <i>Hydraulic Ramps (2 st.)</i>
------------------------	--------------------------------	-------------------------------------	--	---------------------	-------------------------------	---------------------------------------	--	---



ВЫСОТА ГРУЗОВОЙ ПЛАТФОРМЫ ДО 630 MM • LOADING PLATFORM HEIGHT UP TO 630 MM

ЧМЗАП-93853-000037-НШУ	20	6 +4 x 2,535 (3,185)	12,3	2	8+1	●		
ЧМЗАП-93853-0000040	20,5	6,635+4,06 x 3,03 (3,43 / 3,83)	12,9	2	8+1		●	
ЧМЗАП-93853-000037-НР	25	9+4 x 3 (3,5)	15,7	2	8+1	●		
ЧМЗАП-93853-000037-НРК	25	6+4 x 2,5 (3)	14	2	8+1	●		
ЧМЗАП-93853-000037-НРК1	25	6+4 x 2,5	14	2	8+1	●		
ЧМЗАП-93371-0000020 (отсоединяемая гусачная часть • removable gooseneck)	50	6,5+4,735 x 2,5 (3)	30	3	12+2	●		
ЧМЗАП-99903-0000015	53	8+6 [3]	25	4	16+2		●	

Primary and Secondary Cone Crushers



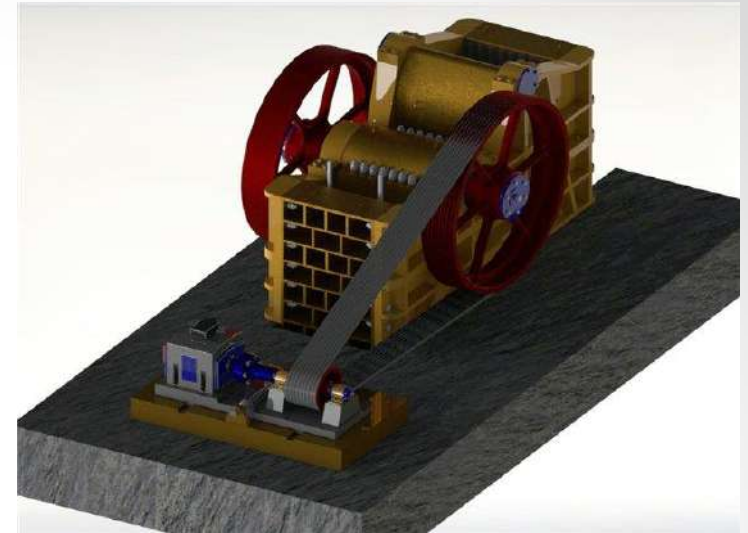
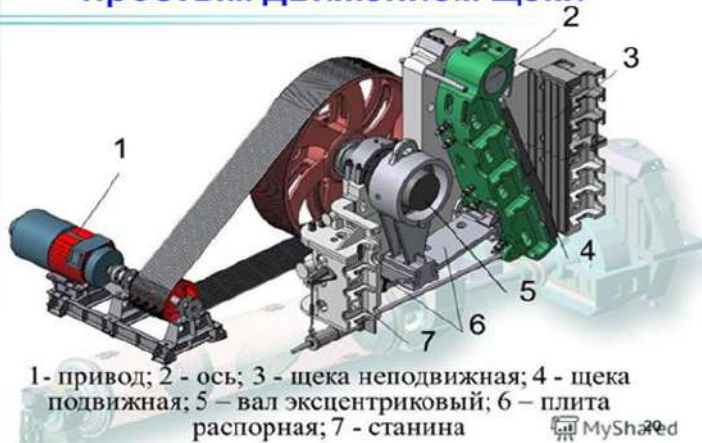
Main Parameters	ККД-500/7	ККД-900/14	ККД-1200/15	ККД-1350/16	ККД-1500/18	ККД-1500/23	КРД-700/7	КРД-700/10
	5	0	0	0	0	0	5	0
Width of Feed opening size, mm	500	900	1200	1350	1500	1500	700	700
Discharge opening size, nominal, mm	75	140	150	160	180	230	75	100
Max. size of lump (by 5 % of residue left on square mesh), mm, max:								
- Feed	400	750	1000	1100	1200	1200	550	550
- Final product	130	240	255	280	310	390	150	200
Minimum capacity by crushing rock with 100-150 MPa of compression strength and moisture content up to 4 %, M ³ /h	270	580	1220	1320	2240	2790	610	1310
Power of Drive electric motor, kW	110	250	320	400	400	500	250	400
Voltage input at 50 Hz, V	380				6000			
Delivery set mass without spare parts, t	40	150	240	320	406	460	157	236
Overall Dimensions:								
Length, mm	4455	8990	10385	11575	12257	12390	8505	12070
Width, mm	4365	5990	7135	6950	7332	7425	6620	6850
Height, mm	4905	7595	8765	8660	10125	10105	7455	8340

Intermediate crusher specifications

Main Parameters	КСД-1750 (Т;Гр;Гр2)	КСД-2200 (Т;Гр;Гр2)	КСД-3000 (Т; Гр)	КМД- 1750 (Т3;Т2;Т;Гр)	КМД- 2200 (Т4;Т1;Гр;Гр2)	КМД-3000 (Т2; Т)
Base diameter of crushing cone, mm	1750	2200	3000	1750	2200	3000
Width of Feed opening size, mm	200; 250; 350	275; 350; 450	475; 600	40; 70; 80; 130	85; 100; 140; 200	85; 100
Max. size of lump, mm, max:						
- Feed	160; 200; 300	250; 300; 380	380; 480	30; 60; 70; 100	80; 85; 110; 170	80; 90
- Final product	42; 65; 70	42; 75; 75	70; 110	5; 16; 21; 32	18; 21; 35; 45	18; 21
Discharge opening size, adjustable range, mm	15-30; 25-60; 35-65	15-30; 30-60; 35-65	25-50; 50-80	3-8; 8-12; 5-15; 9-20	8-15; 5-15; 10- 20; 15-25	8-15; 5-15
Minimum capacity by crushing rock with 100-150 MPa of compression strength and moisture content up to 4 %, M ³ /h	105-190; 180-320; 230-400	180-360; 420-700; 500-820	650-900; 950-1450	40-75; 80- 100; 85-140; 135-200	130-170; 160- 250; 220-325; 315-410	340-450; 300-475
Rotation speed of input drive, min	740	490	590	740	490	590
Sweep rate of crushing cone, min	260	242	200	260	242	200
Power of Drive electric motor, kW	160	250	400	160	250	400
Voltage input at 50 Hz, V	380	6000	6000	380	6000	6000
Delivery set mass without spare parts, t	51	92	200	51	94	229
Overall Dimensions (LxWxH), mm	5200x2620x4185	6800x3250x5050	8500x4640x6340	5200x2620x4185	6800x3250x5050	8500x4640x6340

Jaw Crushers ШДП (СМД)

Конструкция щековой дробилки с простым движением щеки

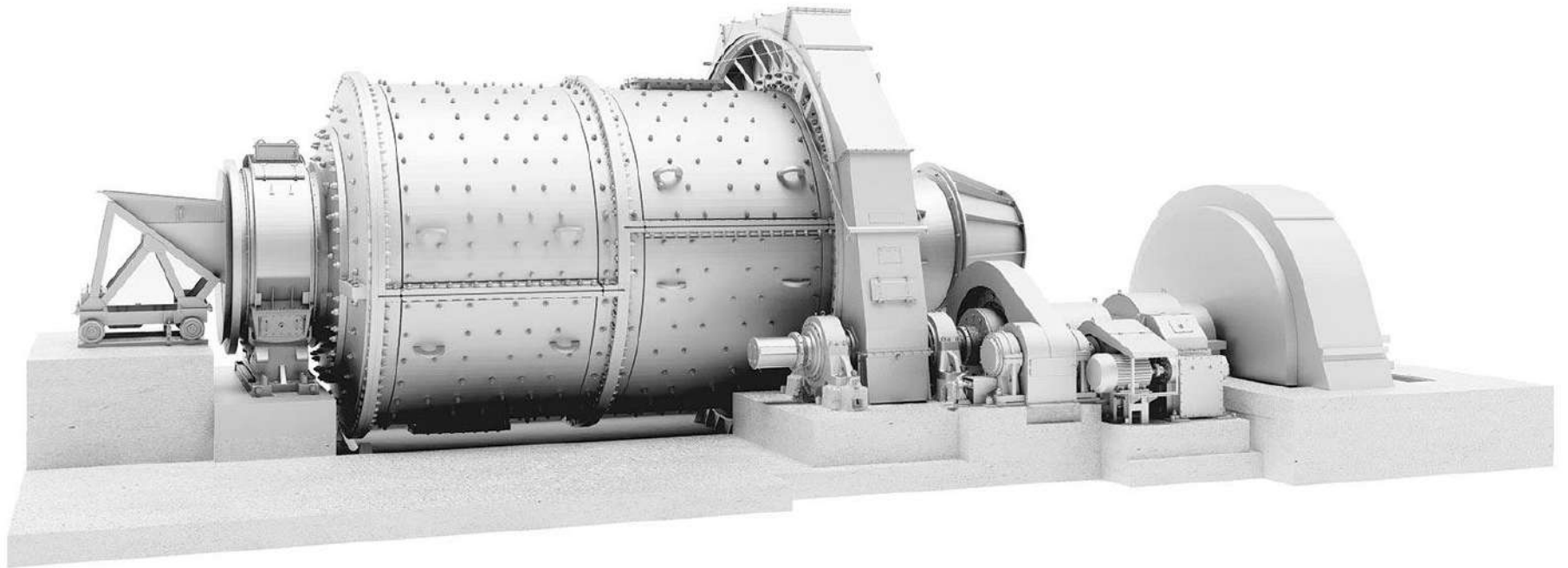


Main Parameters	ШДП-900x1200У	ШДП-1200x1500У	ШДП-1500x2100У
Width/Length of Feed opening size, mm	900±45 / 1200±60	1200±60 / 1500±75	1500±75 / 2100±90
Max size of lump, mm	750	1000	1300
Discharge opening size, nominal, mm	130	155	180
Output discharge at opening nominal width, m ³ /h, minimum	180	310	600
Drive electric motor:			
power, kW	90	160	250
rotation speed, rp	750	725	500
voltage, V	380	380	6000
Overall Dimensions с приводом (LxWxH), mm:	5000x3150x3300	9220x6430x4300	9800x8500x5200
Oiling of a drive and main shaft bearings	Automatic grease system		
Delivery set mass without spare parts, t	59,5	123	214

Grinding Mills



- Our company can supply the following types of mills :
- **MSTS** – trunnion-type rod mills;
- **MSP** – peripheral discharge rod mills for dry grinding;
- **MSR** – grate-discharge rod mills for dry grinding;
- **MSHTS** – trunnion-type ball mills;
- **MSHR** – grate-discharge ball mills;
- **MMS** – mills for wet autogenous grinding;
- **MSS** – mills for dry autogenous grinding.



Our Achievements



EKG-10 for Erdenet Coal Mine, Mongolia



Tractor K-704 with manipulator Fassi F215, Mongolia



Support Carrier K-708 for JV Erdenet Company, Mongolia



Drilling Rig СБШ-250 for Sovrudnik company, Russia



Geography of Supply

- We have been working for many years and earned the reputation of reliable supplier
- We have wide experience of exporting different equipment & products;
- We have extensive business relationships around the world;

Why you should work
with us

- Group of Companies "TransTechnoMarket"
- Registered / Mailing address:
- 196143, St. Petersburg, 34/6A Jury Gagarin pr.,
off. 17.
- Tel. / fax: +7 812 303 84 28
- Website: www.ttm-export.com
- E-mail: info@ttm-export.com

Contacts